

RoHS

bel

MQ Apr2013D

Type MQ
Quick Acting Micro Fuse

3 X 7 mm Size
RoHS Compliant

HF MQ Series Fuse



Features

- Quick Acting
- Small size
- Wide range of current rating from 100mA to 15A
- Wide operating temperature range
- RoHS compliant
- Halogen Free

Applications

- Notebook
- LCD monitor
- PC computer
- Office electronic equipment
- Industrial equipment
- Medical equipment
- POE, POE+
- LCD / LED monitor
- Power supply
- LCD / LED TV

HALOGEN FREE = **HF**

Electrical Characteristics (UL / CSA /STD.248-14)

| Testing Current | Blow Time | |
|-----------------|-----------|---------|
| | Minimum | Maximum |
| 100% | 4 Hrs. | N/A |
| 200% | N/A | 5 Sec |

Safety Agency Approvals

| SAFETY AGENCY | SAFETY AGENCY CERTIFICATE | AMPERE RANGE / VOLT @ I.R.ABILITY |
|---------------|---------------------------|------------------------------------|
| | LR39772 | 100mA - 15A / 125V @50A AC;300A DC |
| | E20624 | |
| | | |

Specifications Subject to change without notice.

Type MQ
Quick Acting Micro Fuse

3 X 7 mm Size
RoHS Compliant
HF



MQ Apr2013D

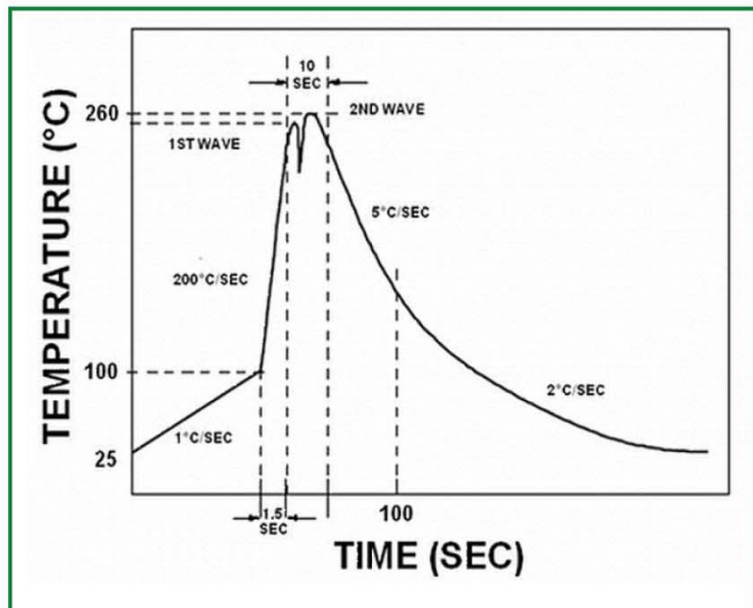
Electrical Specifications

| Catalog Number | Ampere Rating | Typical Cold Resistance (ohm) | Volt-drop @100% In (volt) Max. | Voltage Rating (V) | Interrupting Rating | Melting I ² T <10 m Sec (A ² Sec) | Melting I ² T @ 10 In (A ² Sec) | Maximum Power Dissipation (W) | Certification | | |
|----------------|---------------|-------------------------------|--------------------------------|--------------------|------------------------------------|---|---|-------------------------------|---------------|-------|----|
| | | | | | | | | | SP | UL US | CE |
| MQ 100 | 100mA | 13.8 | 2.70 | 125 | 100mA - 15A / 125V @50A AC;300A DC | 0.0007 | 0.0006 | 0.35 | Y | Y | Y |
| MQ 125 | 125mA | 2.05 | 1.10 | 125 | | 0.0012 | 0.0009 | 0.09 | Y | Y | Y |
| MQ 150 | 150mA | 1.56 | 1.00 | 125 | | 0.0019 | 0.0015 | 0.10 | Y | Y | Y |
| MQ 200 | 200mA | 1.00 | 0.70 | 125 | | 0.003 | 0.002 | 0.12 | Y | Y | Y |
| MQ 250 | 250mA | 0.52 | 0.45 | 125 | | 0.005 | 0.004 | 0.14 | Y | Y | Y |
| MQ 300 | 300mA | 0.47 | 0.44 | 125 | | 0.009 | 0.008 | 0.16 | Y | Y | Y |
| MQ 375 | 375mA | 0.41 | 0.43 | 125 | | 0.013 | 0.012 | 0.18 | Y | Y | Y |
| MQ 500 | 500mA | 0.25 | 0.42 | 125 | | 0.025 | 0.023 | 0.21 | Y | Y | Y |
| MQ 750 | 750mA | 0.152 | 0.41 | 125 | | 0.062 | 0.056 | 0.27 | Y | Y | Y |
| MQ 1 | 1 A | 0.110 | 0.40 | 125 | | 0.11 | 0.10 | 0.33 | Y | Y | Y |
| MQ 1.5 | 1.5 A | 0.064 | 0.28 | 125 | | 0.29 | 0.25 | 0.42 | Y | Y | Y |
| MQ 2 | 2 A | 0.055 | 0.27 | 125 | | 0.33 | 0.27 | 0.33 | Y | Y | Y |
| MQ 2.5 | 2.5 A | 0.038 | 0.26 | 125 | | 0.59 | 0.50 | 0.40 | Y | Y | Y |
| MQ 3 | 3 A | 0.028 | 0.25 | 125 | | 1.06 | 0.90 | 0.48 | Y | Y | Y |
| MQ 3.5 | 3.5 A | 0.027 | 0.24 | 125 | | 1.4 | 1.2 | 0.53 | Y | Y | Y |
| MQ 4 | 4 A | 0.023 | 0.23 | 125 | | 1.9 | 1.6 | 0.58 | Y | Y | Y |
| MQ 5 | 5 A | 0.017 | 0.22 | 125 | | 3.4 | 3.0 | 0.71 | Y | Y | Y |
| MQ 7 | 7 A | 0.012 | 0.20 | 125 | | 8 | 7 | 0.94 | Y | Y | Y |
| MQ 10 | 10 A | 0.006 | 0.11 | 125 | | 25 | 21 | 1.30 | Y | Y | Y |
| MQ 12 | 12 A | 0.005 | 0.10 | 125 | | 41 | 35 | 1.50 | Y | Y | Y |
| MQ 15 | 15 A | 0.004 | 0.10 | 125 | 70 | 63 | 1.80 | Y | Y | Y | |

Consult manufacturer for other ratings

Soldering Parameters

| I Wave Soldering Profile | |
|---|---|
| Wave Soldering Parameter | |
| Average ramp-up rate | 200°C / second |
| Heating rate during preheat | typical 1 - 2°C / second Max. 4°C / second |
| Final preheat temperature | within 125°C of soldering temperature |
| Peak temperature T _p | 260°C |
| Time within +0 °C / -5°C of actual peak temperature | 10 seconds |
| Ramp-down rate | 5°C / second max. |



Type MQ

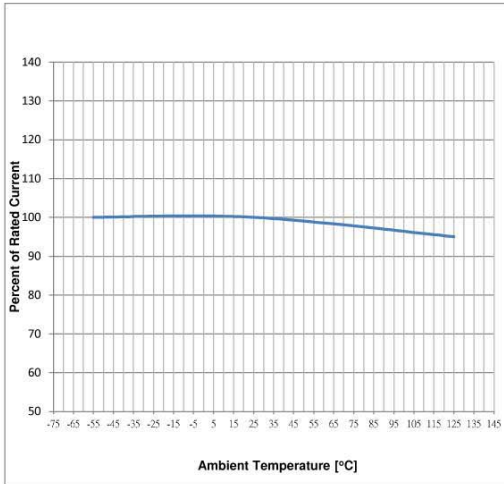
Quick Acting Micro Fuse

RoHS Compliant

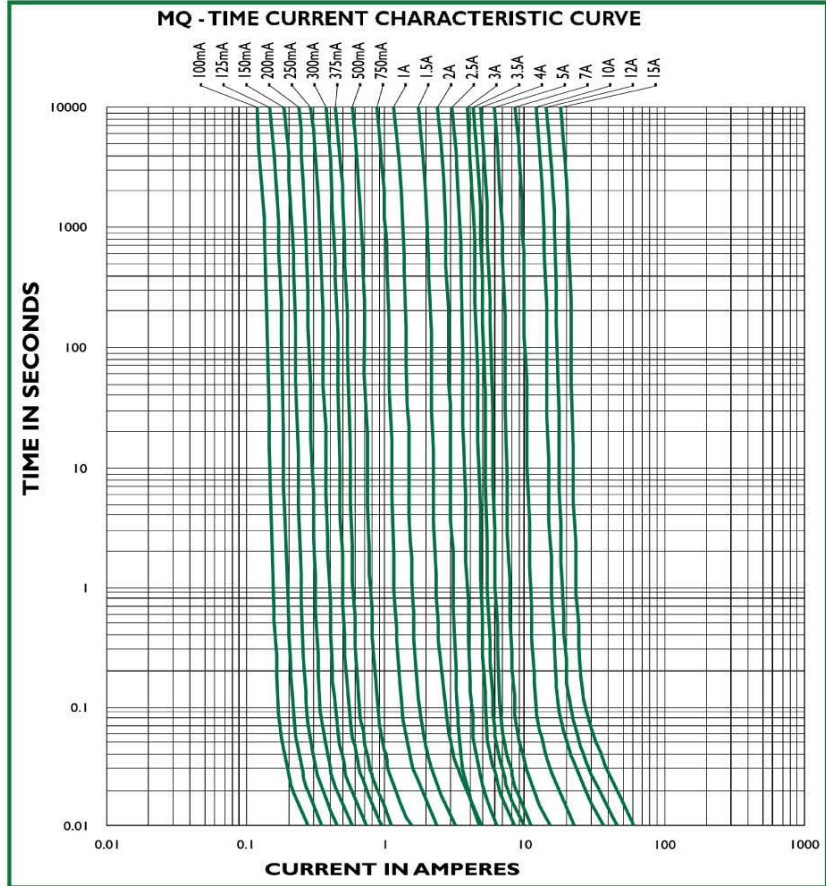


MQ Apr2013C

Temperature Derating Curve



Average Time Current Curve



Environmental Specifications

| | |
|----------------------------------|--|
| Shock Resistance | MIL-STD-202G, Method 213B, Test Condition I (100 G's peak for 6 milliseconds; Sawtooth Waveform) |
| Vibration Resistance | MIL-STD-202G, Method 201A (10-55 Hz, 0.06 inch, total excursion). |
| Salt Spray Resistance | MIL-STD-202G, Method 101E, Test condition B (48 hrs). |
| Insulation Resistance | MIL-STD-202G, Method 302, Test Condition A (After Opening) 10,000 ohms minimum. |
| Solderability | MIL-STD-202G, Method 208H |
| Resistance to Solder Heat | MIL-STD-202G Method 210F, Test Condition B. (260°C, 10 sec) |
| Thermal Shock | MIL-STD-202G, Method 107G, Test Condition B (-65°C to +125°C). |
| Operating Temperature | -55°C to +125°C |
| Moisture Resistance | MIL-STD-202F, Method 106G |

Type MQ Quick Acting Micro Fuse

 3 x 7 mm Size
RoHS Compliant


Physical Specifications

| | |
|------------------|--|
| Materials | Body : Molded with UL Recognized epoxy component plastic,UL 94-V0 |
| | Lead Wire: Matte tin plated copper |
| Marking | On Fuse: |
| | "bel","MQ"," Current Rating"."125V" printed in white color |
| | On label: |
| | "bel" , "MQ", "Current Rating", "Voltage Rating", "Interrupting Rating", "Appropriate Safety Logos" and " ", " " (China RoHS compliant). |

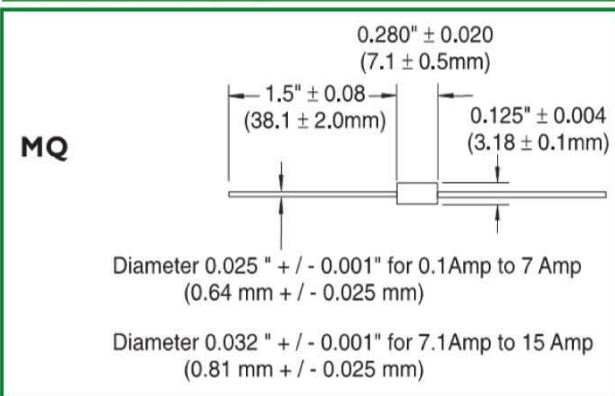
Fuse FGNO Explanation

06XX-XXXXX-XX, XXXX=Ampere Rating

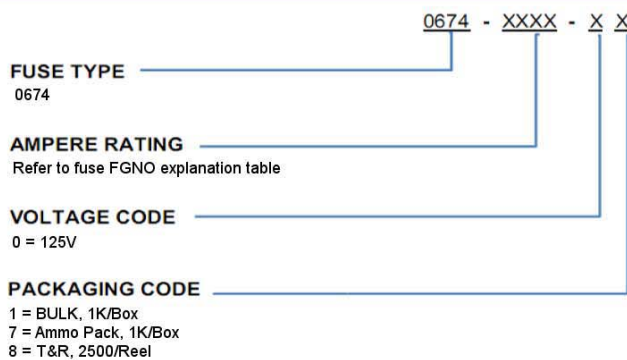
| Fraction | Decimal | Milliamps | Bel FGNO(XXXX) |
|----------|---------|-----------|----------------|
| 1/32 | .032 | 32 | 0032 |
| 1/25 | .040 | 40 | 0040 |
| 1/20 | .050 | 50 | 0050 |
| 1/16 | .063 | 63 | 0063 |
| 8/100 | .080 | 80 | 0080 |
| 1/10 | .100 | 100 | 0100 |
| 1/8 | .125 | 125 | 0125 |
| 15/100 | .150 | 150 | 0150 |
| | .160 | 160 | 0160 |
| 2/10 | .200 | 200 | 0200 |
| 1/4 | .250 | 250 | 0250 |
| 3/10 | .300 | 300 | 0300 |
| | .315 | 315 | 0315 |
| 3/8 | .375 | 375 | 0375 |
| 4/10 | .400 | 400 | 0400 |
| 1/2 | .500 | 500 | 0500 |
| 6/10 | .600 | 600 | 0600 |
| | .630 | 630 | 0630 |
| 7/10 | .700 | 700 | 0700 |
| 3/4 | .750 | 750 | 0750 |
| 8/10 | .800 | 800 | 0800 |

| Fraction | Decimal | Amps | Bel FGNO(XXXX) |
|----------|---------|------|----------------|
| | 1.0 | 1 | 1000 |
| 1-1/4 | 1.25 | 1.25 | 1250 |
| 1-1/2 | 1.50 | 1.5 | 1500 |
| | 1.60 | 1.6 | 1600 |
| | 2.0 | 2 | 2000 |
| 2-1/4 | 2.25 | 2.25 | 2250 |
| 2-1/2 | 2.5 | 2.5 | 2500 |
| | 3.0 | 3 | 3000 |
| | 3.15 | 3.15 | 3150 |
| 3-1/2 | 3.5 | 3.5 | 3500 |
| | 4.0 | 4 | 4000 |
| | 5.0 | 5 | 5000 |
| | 6.0 | 6 | 6000 |
| | 6.3 | 6.3 | 6300 |
| | 7.0 | 7 | 7000 |
| 7-1/2 | 7.5 | 7.5 | 7500 |
| | 8.0 | 8 | 8000 |
| | | 10 | 9100 |
| | | 12 | 9120 |
| | | 15 | 9150 |
| | | 20 | 9200 |
| | | 25 | 9250 |
| | | 30 | 9300 |

Mechanical Dimensions



Ordering Information



Packaging

| Packaging Option | Packaging Specification | Quantity | Packaging Code | Inside Tape Spacing |
|-------------------------|-------------------------|----------|----------------|---------------------|
| Bulk | N/A | 1000 | 01 | N/A |
| Bulk (Amon Package) | N/A | 1000 | 07 | N/A |
| Tape & Reel, 5 mm Pitch | EIA-296-F | 2500 | 08 | 53 |

Specifications Subject to change without notice.

CORPORATE OFFICE

Bel Fuse Inc.
206 Van Vorst Street
Jersey City, NJ 07302
Tel 201-432-0463
Fax 201-432-9542
E-Mail: belfuse@belf.com
Website: www.belfuse.com

FAR EAST OFFICE

Bel Fuse Ltd.
8/F Luk Hop Industrial Building
8 Luk Hop Street
San Po Kong
Kowloon, Hong Kong
Tel 852-2328-5515
Fax 852-2352-3706

EUROPE OFFICE

Bel Fuse Europe Ltd.
Preston Technology Management Centre
Marsh Lane, Suite F15
Preston, Lancashire, PR1 8UQ
United Kingdom
Tel 44-1772-556601
Fax 44-1772-561008

EUROPE

Bel Stewart GmbH
Industriestrasse 20
61381 Friedrichsdorf
Germany
Tel 49-6172-9552-0
Fax 49-6172-9552-40